



Pump Model - version

EUROINOX 30/50 M - N.1.- -

Attention: check the correspondence with the serial number of the pump.

Company Name
Reference
Phone
Fax
E-mail

Receiver

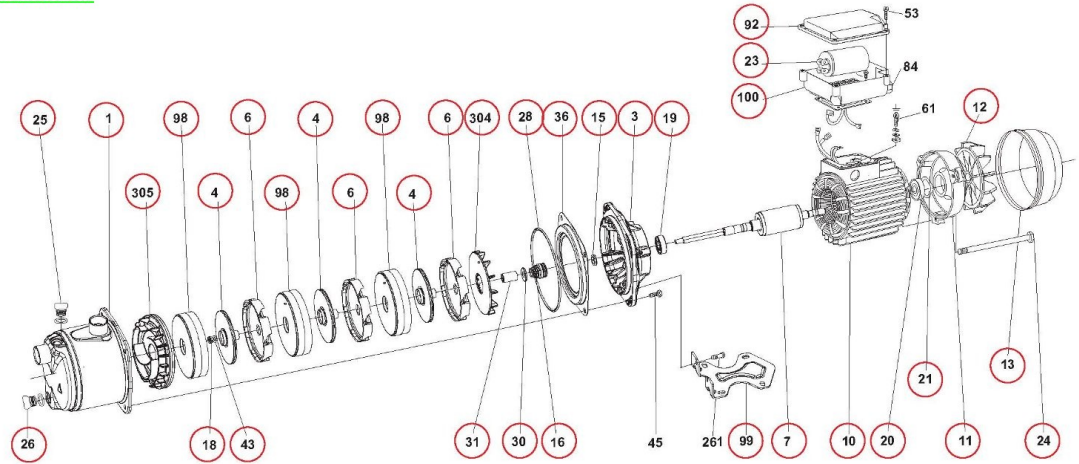
From

EUROINOX 30/50 M - N.1.- - @ 102470260_c

EUROINOX 30/50 M @ 102470260

Item	Q.ty	Item no.	Description	Unit pr.
1	1	148121100	PUMP BODY	On req.
3	1	161430060	&MOTOR SUPPORT MEC 63	On req.
4	3	150761091	IMPELLER GFN2	On req.
6	3	162860480	DIFFUSER	On req.
7	1	145002700	SHAFT W/ROT.EURO 30/50-25/80	On req.
10	1	130645120	MOTOR MEC63 H80 220/240/50	On req.
11	1	164030000	MEC63 D.32 MOTOR COVER	On req.
12	1	160760230	FAN MEC63	On req.
13	1	164200000	MEC 63 FUN COVER	On req.
15	1	002210558	V-RING D.13,5-15X5,5H	On req.
16	1	148620440	COMPLETE MECH.SEAL D.15	On req.
18	1	002520633	HEX.NUT AUTOB.M8 INOX A4 UNI7474	On req.
19	1	002310102	6202-2RSH D.15X35X11 BEARING	On req.
20	1	002310000	6201-2Z D.12X32X10 BEARING	On req.
21	1	002570000	LMKAS D.32A THRUST WASHER	On req.
23	1	002710002	&12,5UFX 450V CAPACITOR MAX D.45X75MM (P1360003)	On req.
24	3	167100000	MEC 63 M5 X 128 MOTOR TIE ROD	On req.
25	1	168460080	PRIMING PLUG 3/8"	On req.
26	1	168460080	PRIMING PLUG 3/8"	On req.
28	1	002220377	OR-4600 151,99X 3,53 NBR	On req.
30	1	168300150	WASHER A.316	On req.
36	1	161000270	&DISC SEAL	On req.
43	1	002523059	FLAT WASHER D.8,4X17AISI316UNI6592	On req.
92	1	147120260	TERM. BOX COVER WITH GASKET	On req.
98	3	161360480	DIFFUSER BODY -NORYL	On req.
99	1	161500360	&FOOT BRACKET	On req.
100	1	140040010	TERM-BOX KIT STANDARD	On req.
304	1	161060520	REAR DISC EURO PULSAR	On req.

NON INTERACTIVE



Project	Project ID	Created by	Created on 2013-06-13	Last update
---------	------------	------------	--------------------------	-------------



Pump Model - version

EUROINOX 30/50 M - N.1.- -

Attention: check the correspondence with the serial number of the pump.

Company Name
Reference
Phone
Fax
E-mail

Receiver

From

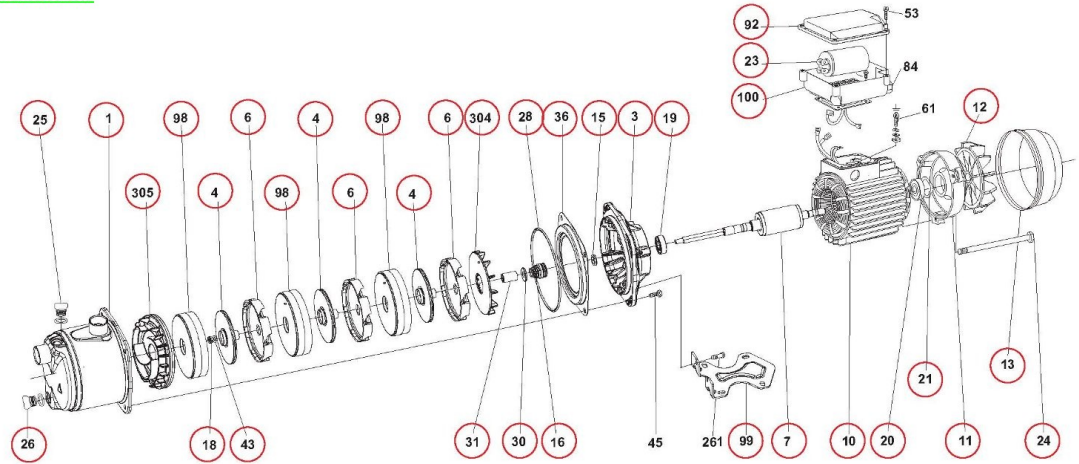
Serial Number

EUROINOX 30/50 M - N.1.- - @ 102470260_c

EUROINOX 30/50 M @ 102470260

Item	Q.ty	Item no.	Description	Unit pr.
305	1	142860070	FLANGE	On req.
550	1	140040050	COMPL. TER.-BOX NB	On req.

NON INTERACTIVE



Project

Project ID

Created by

Created on
2013-06-13

Last update